

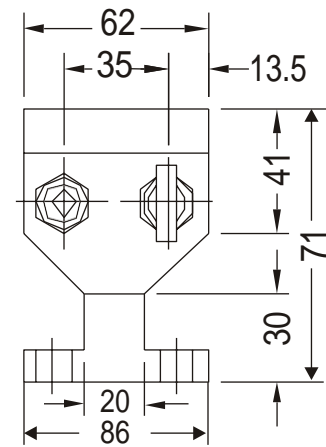
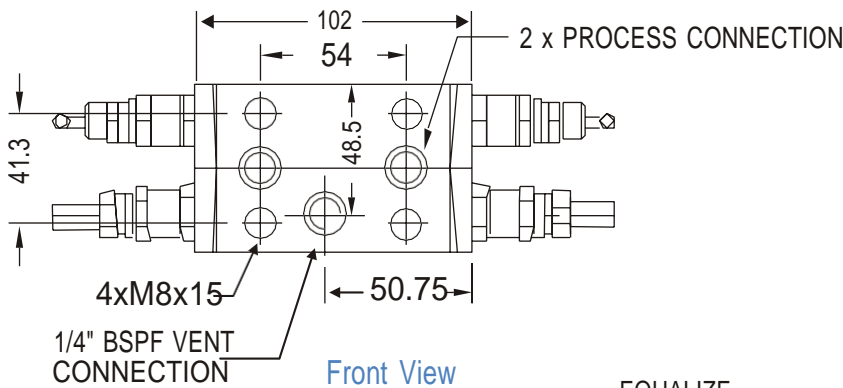
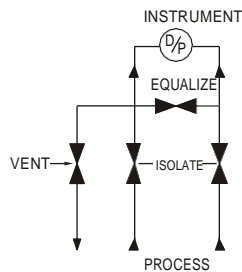
# FOUR VALVE MANIFOLDS

## DIRECT MOUNT (Pipe to Flange)

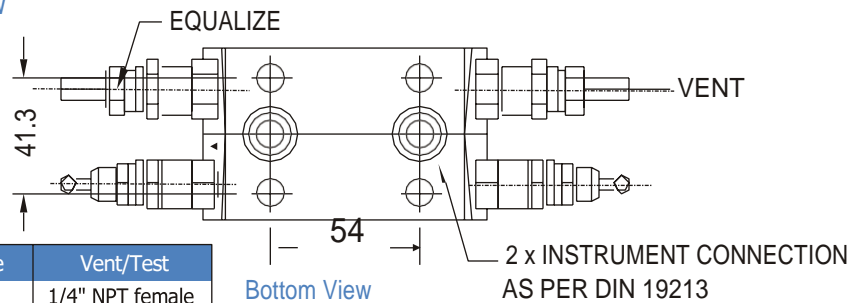


IPS-MV-PF4-01

A compact four valve manifold to accommodate any full DIN 19213 interface complaint pressure transmitter-two inlets BSP/NPT female and 2 outlets Flange to fit DIN 19213; vent/test on front side, equalizing bonnet at right side; isolating bonnets at left and right side and venting bonnet at left side.



Side View



Bottom View

### Standard connection

Product	Process side	Instrument side	Vent/Test
IPS-MV-PF4-02	Flange	Flange	1/4" NPT female

For Further details please contact factory.



## Industrix Precise Solutions Private Limited

Room No – 303, Bhumika Residency, Plot No-21, Sector-20, Roadpali, Kalamboli, Panvel (Tal.), Raigad (Dist.), Maharashtra, India – 410218.

Mobile: +91 99309 98399 / +91 99674 97447

E-mail: [admin@ipspl.in](mailto:admin@ipspl.in) / [sales@ipspl.in](mailto:sales@ipspl.in) Website: [www.ipspl.in](http://www.ipspl.in)

CIN : U52399MH2021PTC368555

## Specifications - Standard Version IPS-MV-PF4-01

Body	: SS 316
Stem	: SS 316
Valve assembly	: SS 316
'T' bar handle	: SS 304
Maximum working pressure	: 6000 PSI / 400 bar
Maximum working temperature	: 240°C
Packing	: PTFE
Type of stem	: Type CT; Stem with conical metal tip
Drain port	: 1/4" NPT [F]; provided with SS 316 plug
Hard Chrome plating	: Provided on stem tip.
Bracket mounting holes	: 4 Nos. With 12 mm ID.

## How to order : IPS-MV-PF4-01

Body Material	Stem Type	Stem Packing	Size = Inlet x Outlet	Connections	Threads
C = Carbon Steel	CT (std)	P = PTFE (std)	4F= 1/2" x Flange	FD = Female x Flange (54mm)	N = NPT (ANSI B 1.20.1)
S = SS 316 (std)	DS	G = Grafoil	2F = 1/4" x Flange	SW = Socket Weld	P = BSPP (BS 2779, ISO 228/1)
S4 = SS 304				DD = Flange x Flange (54mm)	B = BSPT (BS 21, ISO 7/1)
SL = SS 316L					
M4 = Monel 400					
M5 = Monel 500					
H = Hastelloy C					

## Options -

IE	: Handle circular.
TF	: Compliance to NACE standard MR-0175.
SG	: For Oxygen service, valves are supplied cleaned, degreased and suitably packed.
GH	: Material test certificate
GO	: Hydro test certificate
MB	: Mounting Bracket
MBC	: Mounting bolts (7/16" UNF) in carbon steel (Model : MBC - M45, MBC - M25)
MBS	: Mounting bolts (7/16" UNF) in SS (Model : MBS - M45, MBS - M25)D4 : 1/4" NPT (M) Drain Plug
PRF	: PTFE Ring For Flange Seal
GRF	: Grafoil Ring For Flange Seal
BLD4	: Bleeder 1/4" NPT (Male)
D4	: 1/4" NPT Drain Plug
ATV	: Anti Tamper valve
ATK	: Anti Tamper key

## Example

To place an order simply refer to the codes in the table.

Valve Type : Body Material + Stem Packing + Size + Connection + Threads + Options

## NOTE:

- The weld prepared types are available with female plain end - suitable for socket weld.
- Anti-tamper bonnet - special design on request with locking arrangement if desired