

DIFFERENTIAL PRESSURE SWITCH (EXPLOSION PROOF)



IPS-PS-06

DIAPHRAGM TYPE

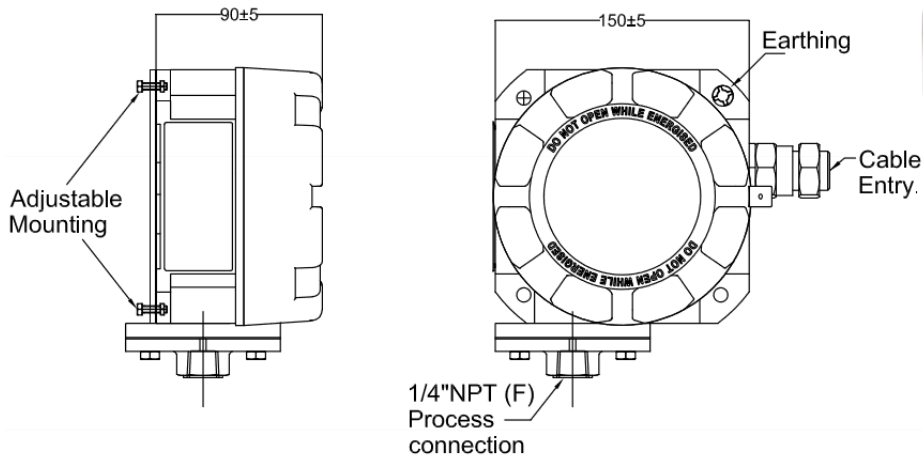
SPECIAL FEATURES

- ATEX APPROVED
- HIGH ACCURACY & REPEATABILITY
- SS WETTED PARTS
- SET POINT LOCKING
- HIGHLY RELIABLE
- DIAPHRAGM SEALS (OPTIONAL)

APPLICATIONS

- FILTER MONITORING, BOILER, FURNACE, RAILWAY ENGINES
- OIL & GAS, CONVENTIONAL & NUCLEAR POWER PLANTS, MINES, IRON & STEEL PLANTS, REFINERIES, PETROCHEMICAL, FOOD & PHARMACEUTICAL, CHEMICAL & FERTILIZER, CEMENT, GLASS, PAINT, PULP & PAPER, MARINE INDUSTRIES AND OTHER HAZARDOUS APPLICATIONS.

DIMENSIONAL DETAILS



- Notes :
- Drawings are not to scale.
 - All Dimensions are in mm.

TECHNICAL SPECIFICATIONS - STANDARD VERSION

Repeatability	:	± 0.5% F. S.
Scale Accuracy	:	± 3% F. S.
Scale	:	bar (Inside Enclosure)
Range	:	Refer "How to order"
Set Point	:	Between 20 to 80% F. S. for better performance
Over pressure Limit	:	150% of F. S.
Differential	:	Fixed
Mounting	:	Direct / Panel
Process Connection	:	1/4" NPT (F)
Enclosure Protection	:	W/P to IP 65 & Explosion proof, Class 1, Div. 2, Gas Groups B, C & D (ExII2G, Eex d IIC T6)
Enclosure Material	:	Die Cast Aluminum
Maximum Process Temperature	:	150 °C
Ambient Temperature	:	-10 to 60 °C
Switch	:	1 SPDT, Snap Action Micro Switch
Switch Rating	:	15 A, 250 VAC, 0.2 A, 220 VDC
High Voltage Strength	:	0.5 to 0.6 KV between open contacts and 2 KV between contacts and body
Insulation Resistance	:	>100 M ohms at 500 V
Sensing Element	:	Piston Actuated Diaphragm
DP Chamber Material	:	Aluminum (For Range 5 to 600 mbar) AISI 316 SS (For Range 0.5 to 20 mbar & 1 to 25 bar)
Sensing Element Material	:	AISI 316L SS
Cable Gland	:	½" NPT (M) double compression
Conformity	:	BS 6134



IndustriX Precise Solutions Private Limited

Room No – 303, Bhumika Residency, Plot No-21, Sector-20, Roadpali, Kalamboli, Panvel (Tal.), Raigad (Dist.), Maharashtra, India – 410218.

Mobile: +91 99309 98399 / +91 99674 97447

E-mail: admin@ipspl.in / sales@ipspl.in Website: www.ipspl.in

CIN : U52399MH2021PTC368555



HOW TO ORDER BASIC MODEL

RANGE (* Also available in AISI 316 SS & AISI 316L version. Refer DP Chamber Material)

Ordering Code	Range (mbar)	DP Chamber Material	Ordering Code	Range (bar)	DP Chamber Material
W020	3 to 20	AISI 316 SS	P001	0.1 to 1	AISI 316 SS
W060	5 to 60	Aluminum*	P002	0.2 to 2	AISI 316 SS
W100	10 to 100	Aluminum*	P004	0.4 to 4	AISI 316 SS
W250	25 to 250	Aluminum*	P006	0.6 to 6	AISI 316 SS
W400	40 to 400	Aluminum*	P010	1 to 10	AISI 316 SS
W600	60 to 600	Aluminum*	P016	1 to 16	AISI 316 SS
			P025	2 to 25	AISI 316 SS

DP CHAMBER MATERIAL

AL ALUMINUM (Standard for Range 5 to 600 mbar only) **SL** AISI 316L SS
C6 AISI 316 SS (Standard for Range 0.5 to 20 mbar & 1 to 25 bar only)

SENSING ELEMENT MATERIAL

SL AISI 316L SS (Standard)

DIFFERENTIAL

F FIXED (Standard)

TYPE OF MICRO SWITCH

1S 1 SPDT **2S** 2 SPDT **1D** 1 DPDT

MICRO SWITCH RATING

Switch Code	Description	AC Rating	AC Rating (Resistive)	DC Rating (Inductive)	Available on 1 SPDT	Available on 2 SPDT
GPL	Low Dead band and Fixed	15 A 250 V	2 A 24 V 0.4 A 110 V 0.2 A 220 V	2 A 24 V 0.4 A 110 V 0.2 A 220 V	Fixed Differential of ZPD, ZPP, ZDD	Fixed Differential of ZPD, ZPP, ZDD
GPH	Standard Dead Band	15 A 250 V	6 A 24V 0.5 A 110 V 0.25 A 220 V	5 A 24 V 0.05 A 110 V 0.03 A 220 V	Fixed Differential of ZPD, ZPP, ZDD	Fixed Differential of ZPD, ZPP, ZDD
GPA	Adj. Differential Micro Switch	15 A 250 V			Adj. Differential of ZPD, ZPP, ZDD	NA
GPG	Gold Plated Contact	1 A 125 V	0.5 A 28 V		Fixed Differential of ZPD, ZPP, ZDD	Fixed Differential of ZPD, ZPP, ZDD
SES	Environmentally sealed Silver Contact	15 A 250 V	0.4 A 125 V		Fixed Differential of ZPD, ZPP, ZDD	Fixed Differential of ZPD, ZPP, ZDD
SEG	Environmentally sealed Silver Contact		1 A 28 V		Fixed Differential of ZPD, ZPP, ZDD	Fixed Differential of ZPD, ZPP, ZDD
HSS	Hermetically sealed Silver Plated	4 A 230 V	3 A 28 V	2 A 24 V	Fixed Differential of ZPD, ZPP, ZDD	Fixed Differential of ZPD, ZPP, ZDD
HSG	Hermetically sealed Gold Plated	1 A 125 V	NA	NA	Fixed Differential of ZPD, ZPP, ZDD	Fixed Differential of ZPD, ZPP, ZDD
HDC	High DC Rating	10 A 125 V	10 A 125 V	6 A 125 V	Fixed Differential of ZPD, ZPP, ZDD	Fixed Differential of ZPD, ZPP, ZDD
DPD	DPDT Micro Switch	10 A 125 V	0.2 A 250 V		Fixed & Adjustable Differential of ZPD, ZPP, ZDD	NA

CALIBRATION

I INCREASING **D** DECREASING (Not Applicable for Adj. Differential)

PROCESS CONNECTIONS (* Please mention the flange face and flange finish)

Through Adaptors		Flanged (As per ANSI B 16.5)*					
2NM 1/4" NPT (M)	3BM 3/8" BSP (M)	B09 1/2" 150 #	B21 1" 150 #	B39 2" 150 #			
2NF 1/4" NPT (F) (Standard)	3BF 3/8" BSP (F)	B10 1/2" 300 #	B22 1" 300 #	B40 2" 300 #			
	4BM 1/2" BSP (M)	B11 1/2" 600 #	B23 1" 600 #	B41 2" 600 #			
	4BF 1/2" BSP (F)	B15 3/4" 150 #	B33 1 1/2" 150 #	B51 3" 150 #			
	4NM 1/2" NPT (M)	B16 3/4" 300 #	B34 1 1/2" 300 #	B52 3" 300 #			
	4NF 1/2" NPT (F)	B17 3/4" 600 #	B35 1 1/2" 600 #	B53 3" 600 #			

CABLE ENTRY

DTE 3/4" ET DUEL ENTRY WITH ONE ENTRY PLUGGED	ECB 3/4" ET DCCG BRASS	DCS 3/4" ET DCCG WITH ONE ENTRY PLUGGED
DNP 1/2" NPT (F) WITH ONE ENTRY PLUGGED	NPB 1/2" NPT DCCG BRASS	DPS 1/2" NPT DCCG WITH ONE ENTRY PLUGGED
ECS 3/4" ET DCCG SS	ETE 3/4" ET	2NP 1/2" NPT (F)
		NPS 1/2" NPT DCCG SS

OPTIONS

PW CALIBRATION CERTIFICATE	WM WALL MOUNTING BRACKET (STEEL PLATED)
SX SS TAG PLATE	PM 2" PIPE MOUNTING
TF CONFORMITY AS PER NACE MR 0175	JU 2" PIPE/YOKE MOUNTING BRACKET & 'U' CLAMP (AISI 304 SS)
GH MATERIAL TEST CERTIFICATES***	FN 2" PIPE/YOKE MOUNTING BRACKET & 'U' CLAMP (AISI 316 SS)
SG OXYGEN SERVICE	
PU CALIBRATION CERTIFICATE TRACEABLE TO NATIONAL/INTERNATIONAL STANDARDS	

*** MATERIAL TEST CERTIFICATES WILL BE PROVIDED FOR WETTED PARTS ONLY WITH CHEMICAL COMPOSITION TESTING. FOR OTHERS, PLEASE CONSULT FACTORY.

ACCESSORIES (Refer Individual Datasheet for complete specifications)

EB COOLING TOWER	ED OVER LOAD PROTECTOR	EG SNUBBER
EC GAUGE COCK	NV4 NEEDLE VALVE	EH SYPHON
DS DIAPHRAGM SEALS	EL COOLING CAPILLARY	VM MANIFOLDS

Note : In 2 SPDT Instruments, there may be an error of max ± 2% F. S. between Micro Switches at the set point.

Modifications may take place and materials specified may be replaced by others without prior notice due to continuous developments.

